



Telescopic Seating



Vogue Seating

Adopt blow craft with HDPE as raw material, the hollow structure seats meet the ergonomic and aesthetic requirements. For its hollow structure design, the seats is comfortable.

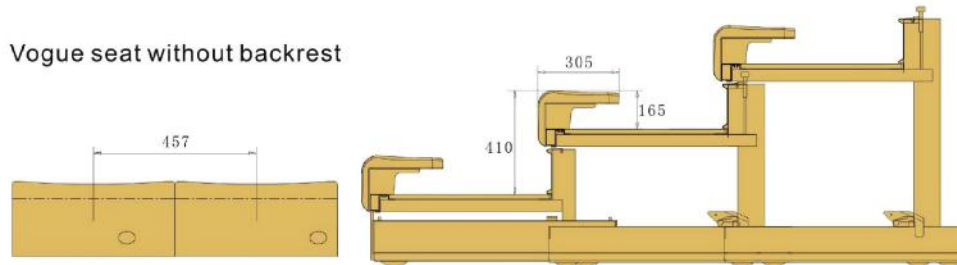
At the same time the seats are produced based on strict tests which made them excellent mechanical capacity and weather resistance etc.



Vogue Seat Without Backrest



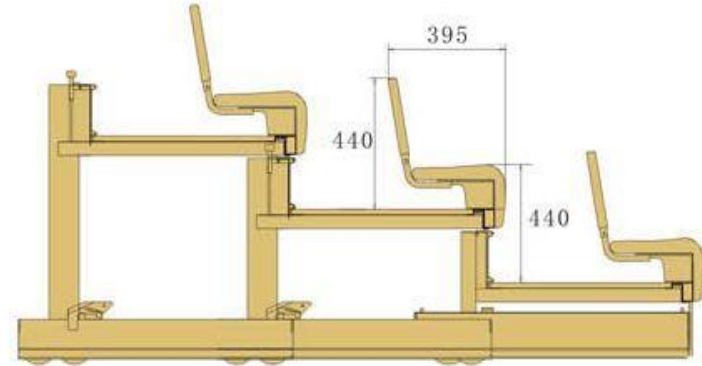
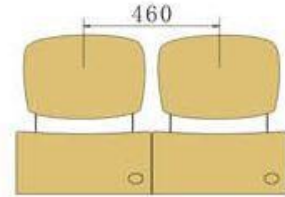
Vogue seat without backrest



Vogue Seat With Backrest



The backrest seat



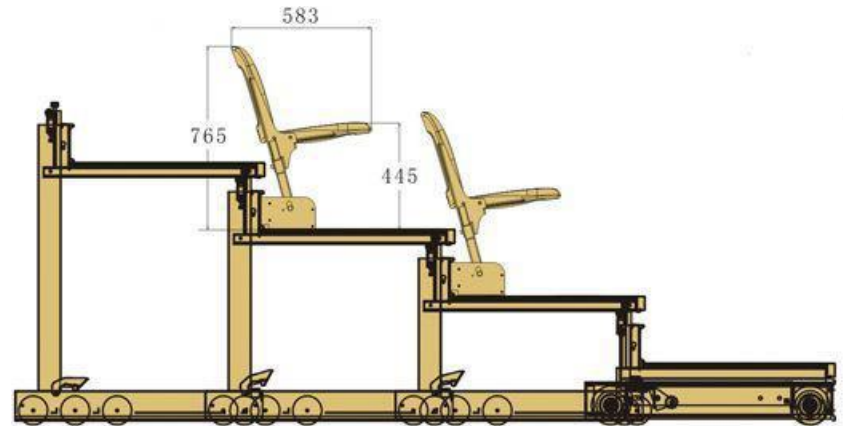
Kook Seating

Kook Series is made up by seat base, backrest and metal frames.

Blow moulded with HDPE material for the seat base and backrest. The surface has been grainy treatment in order to avoid slipping. Both the seat base and backrest have been produced based on fire—resistant requirements.



Kook Seat



Hishine Seating

Chair Plastic Shell: Ergonomic imported PP injection shell with excellent performance for color stability, fire resistance.

Connective Chair Folding

System: Feet-pressed folding system, Bottom covered folding system, Semi-automatically folding system, all three kinds of system equipped with gas-spring system allows super quiet during folding down.

Soft sofa: Wooden inner support covered with ergonomic one-piece cold foamed PU with anti-fire lint upholstered.



Hishine Seat



Histar Seating

Seat: Overall modelling using squared design.

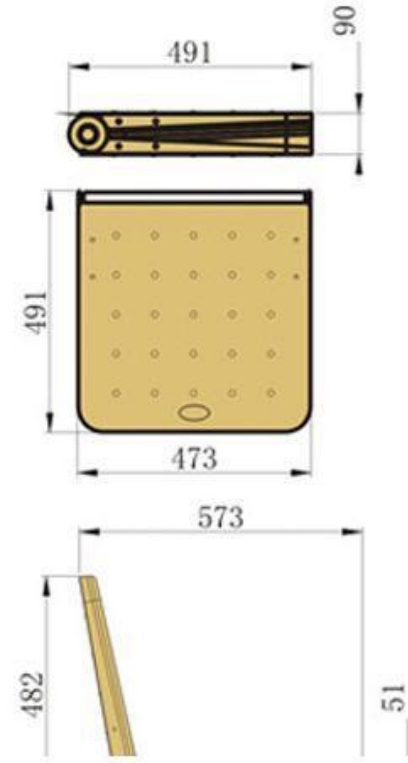
Back of the chair. seat plate: Using 1.5mm steel plate. Punching bending forming and Powder injection treatment for the surface.

Foldable: no spring and manual folding. the thickness of the steel is 4mm, stamping and welding, Powder injection treatment for the surface.

Cushion: fabric cushion, using velcro backing to fix on the structure.



Histar Seat



Regal Seating

The seatbase and backrest are fully upholstered with high quality fire resistant fabric cushion.

It is widely used in gymnasium,conference hall,theater etc.



Regal Seat



Borway Seating

Injection molded with environmental friendly PP material and color masterbatch, anti-oxidant, anti-static and durable.



Borway Seat



Depth: 390mm,

Backrest: 245mm,

Center distance: ≥ 440 mm.

The ability of loading: The telescopic bears the weight of structure, the vertical static load is more than $350\text{kg}/\text{m}^2$.

The seat and backrest: PP injection molded, ergonomic design,

Operation: Manual / Electric

Fashion: Remote control, Pendant Control,

Hinge system: The system is made up by permanent lubrication connecting rod wall, two independent hinge and two pieces lifting system of spring. The hinge system can be operated more than 350,000 times and Lubrication fatigue and bearing wear which can be measured won't happen.

Casters: The casters of the steel structure is made by Polyurethane, the loading capacity of the double bearing casters is more than $250\text{kg}/\text{m}^2$, when it is rolling, it won't leave any track on the floor.

Deck: Use the high quality environmental friendly multilayer solid wood (the thickness is 18mm). The surface is covered by wear-resisting and anti-skidding floor glue.

Other requires: The material of the rails is $40*40*2.0$ steel tube which is installed and welded with the standard round steel.



 **PT. DATRA INTERNUSA**

HQ :

JL. Kebayoran Baru No.73, Kota Jakarta Selatan,
Jakarta 12240, Indonesia.



Production & Innovation Hub :

Jl. Srengseng Raya No. 39. Kebon Jeruk Jakarta Barat,
Jakarta 11630, Indonesia.

V.O :

Puri Botanical
Jl. Raya Joglo Blok I-10 No. 60 Joglo Kembangan Jakarta Barat,
Jakarta 11640, Indonesia

 @datra.id  @datra.id  www.datra.id  sales@datra.id

 +6221 2793 9736
+6221 5864 840  0811 1061 6565